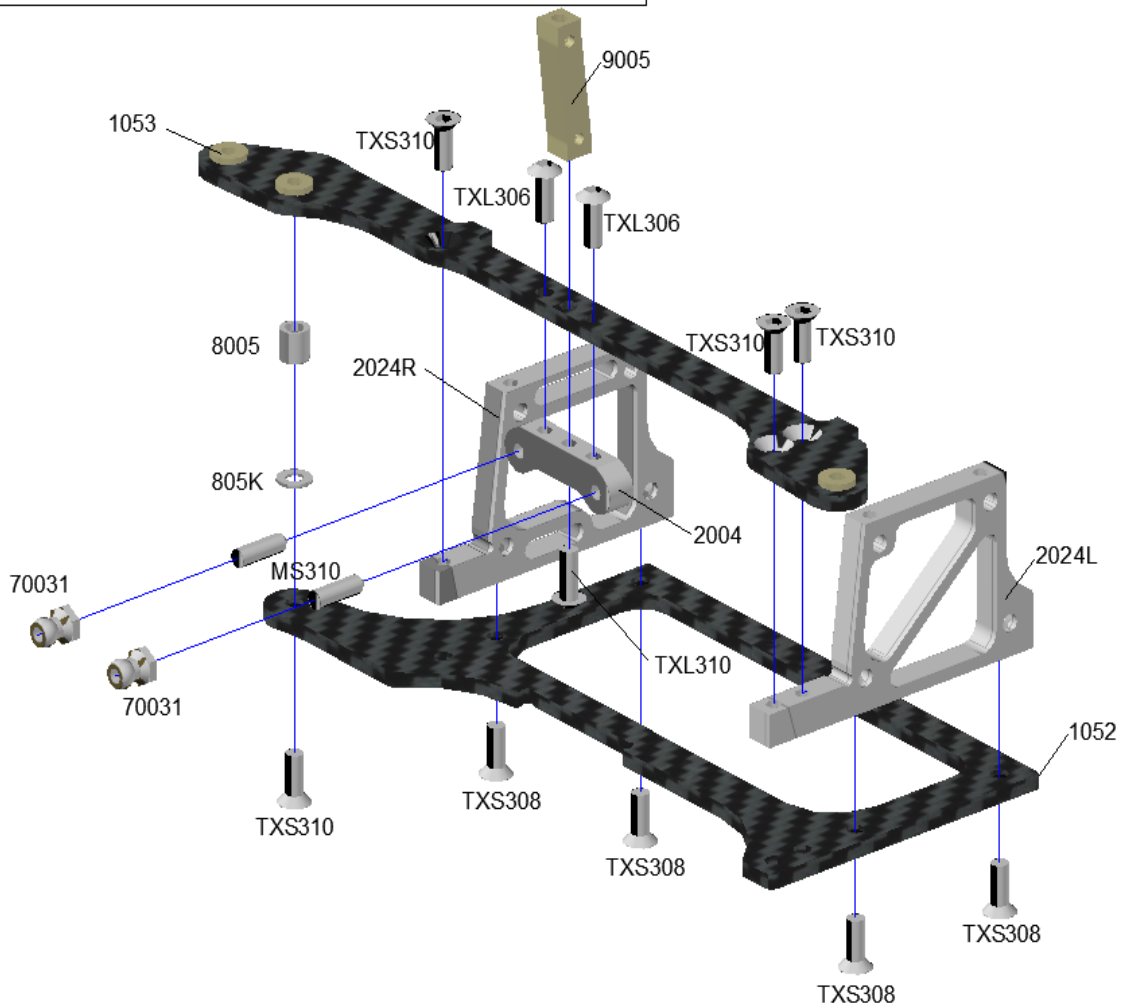


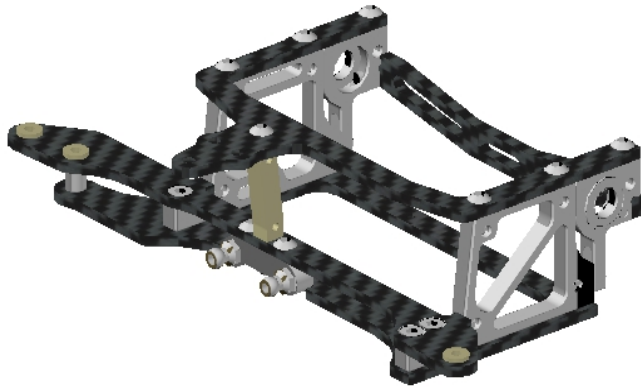
**Required Parts:**

- 1x Lower Podplate **VIP-1052**
- 1x Link Bridge **VIP-1053**
- 1x 5mm Spacer **VIP-8005**
- 1x 0,5mm Spacer **VIP-805K**
- 1x V-Link Support **VIP-2004**
- 1x Pod side R **VIP-2024R**
- 1x Pod side L **VIP-2024L**
- 1x Damping Standoff **VIP-9005**
- 2x Grub screw M3x10 **VIP-MS310**
- 4x Countersunk screw M3x8 **VIP-TXS308**
- 4x Countersunk screw M3x10 **VIP-TXS310**
- 1x Pan head screw M3x10 **VIP-TXL310**
- 2x Pan head screw M3x6 **VIP-TXL306**
- 2x Ballstud 4,8mm **VIP-70031**



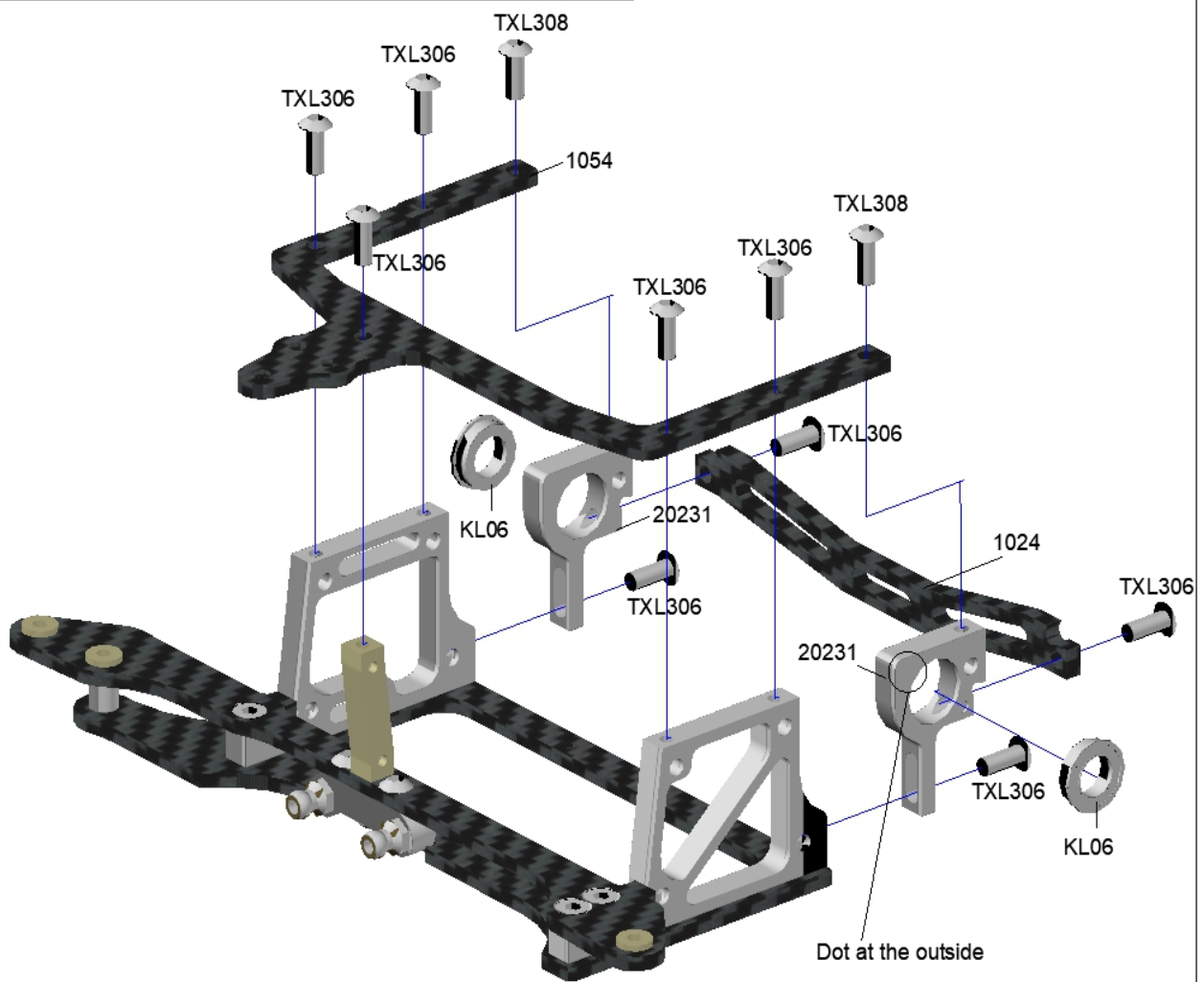
**STEP 1**





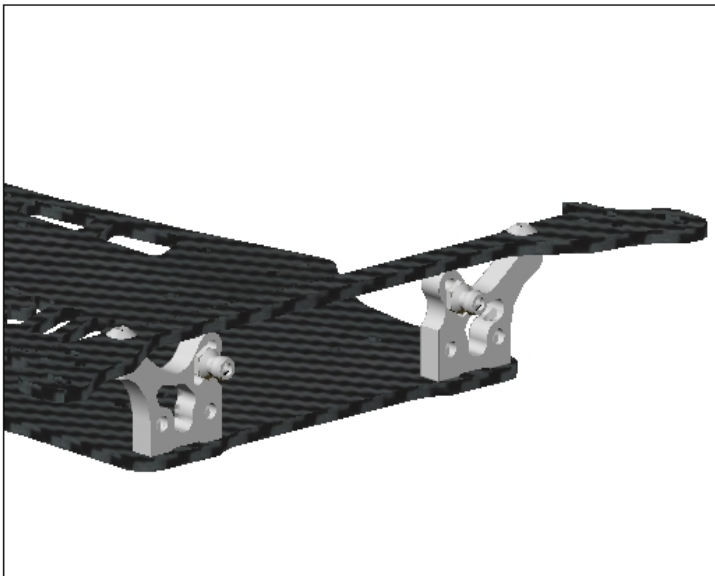
Required Parts:

- 1x Upper Podplate VIP-1054
- 1x Podbrace VIP-1024
- 1x Rear Height Adjusters VIP-20231
- 2x 1/4"x3/8" Bearing VIP-KL06
- 2x Pan head screw M3x8 VIP-TXL308
- 9x Pan head screw M3x6 VIP-TXL306



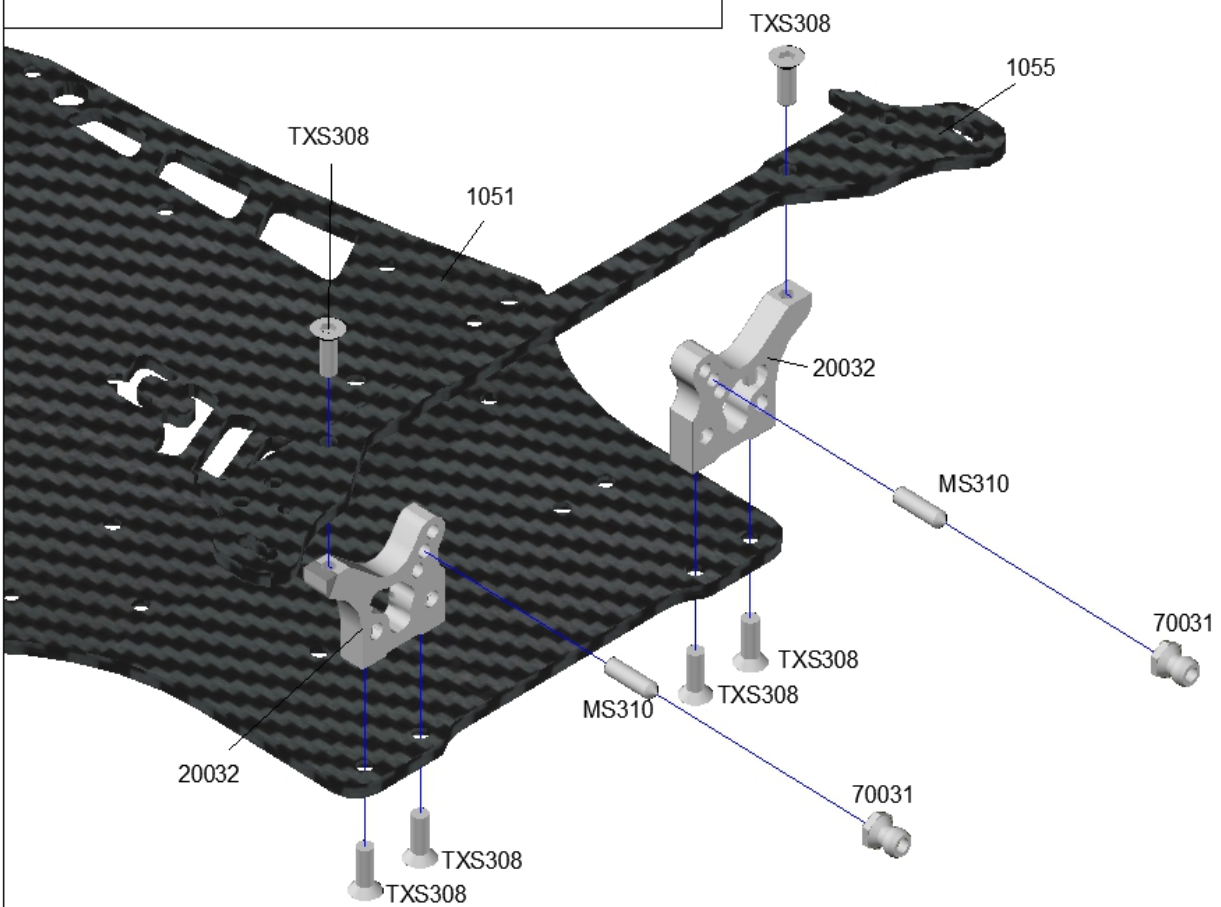
**STEP 2**





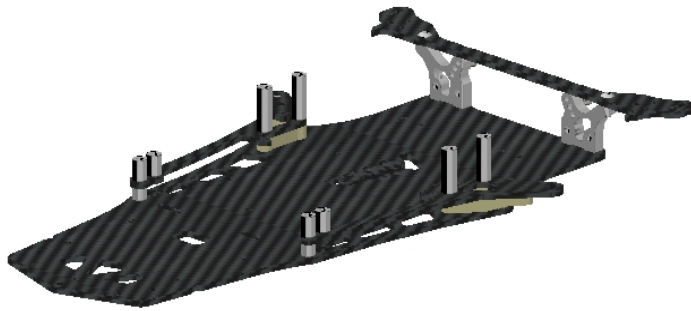
**Required Parts:**

- 1x Chassisplatte **VIP-1051**
- 1x Damping Brace **VIP-1055**
- 1x V Link Bridge (2 pcs) **VIP-20032**
- 2x Grub screw M3x10 **VIP-MS310**
- 6x Countersunk screw M3x8 **VIP-TXS308**
- 2x Ballstud 4,8mm **VIP-70031**



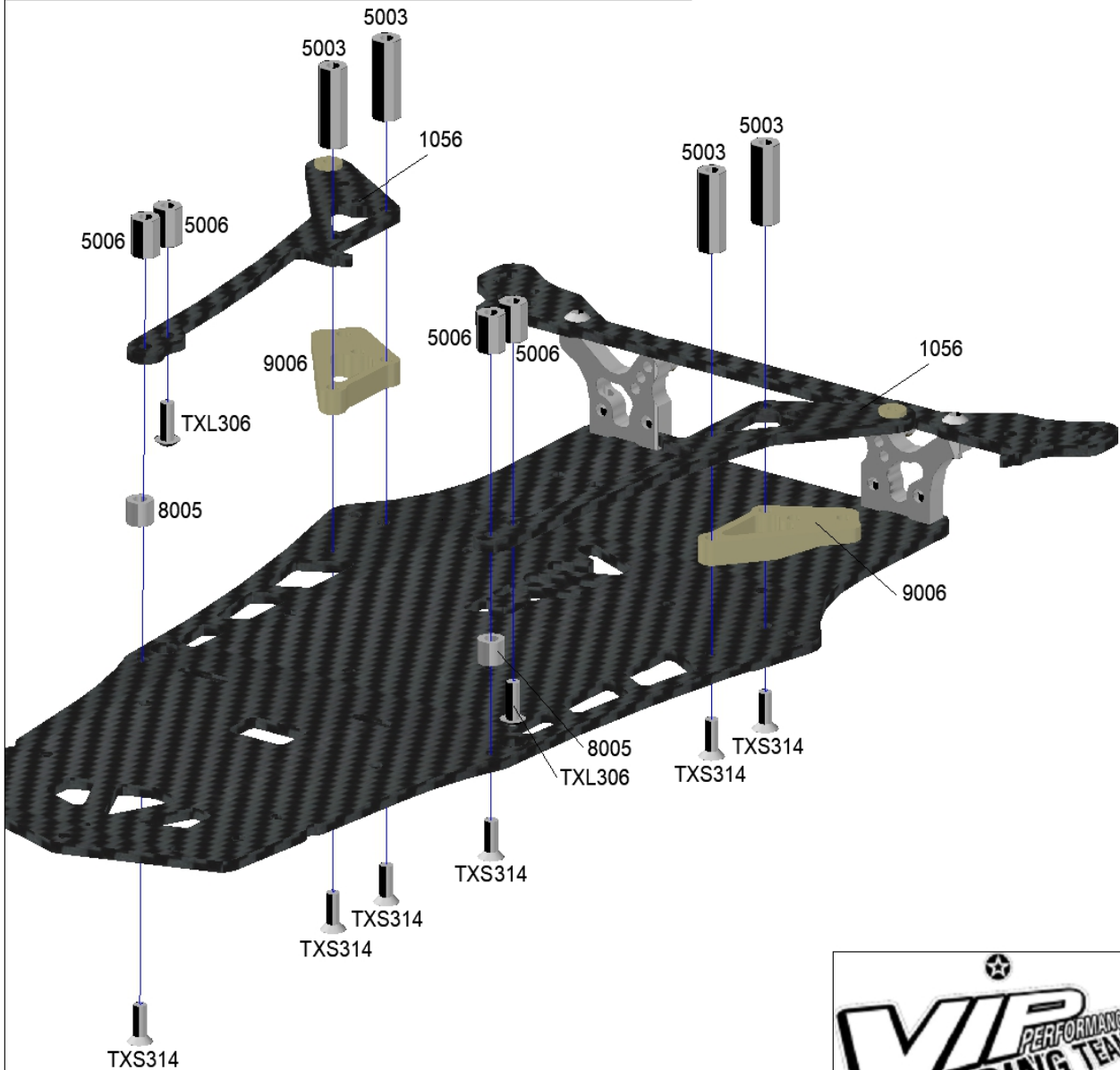
**STEP 3**





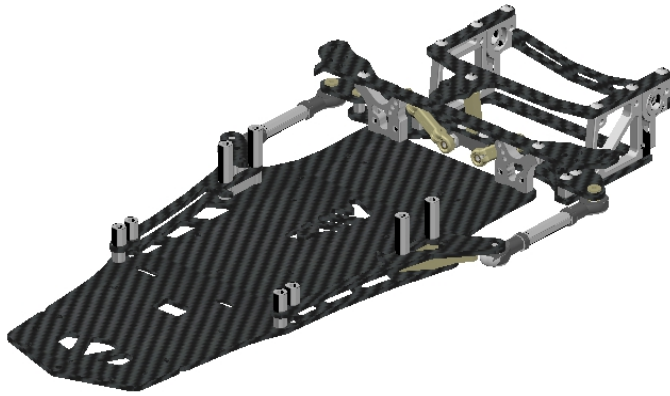
Required Parts:

- 1x Chassisrails (Pair) VIP-1056
- 4x Nylon Posts 20mm VIP-5003
- 4x Nylon Posts 8mm VIP-5006
- 2x 5mm Spacer VIP-8005
- 1x Link Spacer (Pair) VIP-9006
- 2x Pan head screw M3x6 VIP-TXL306
- 6x Countersunk screw M3x14 VIP-TXS 314



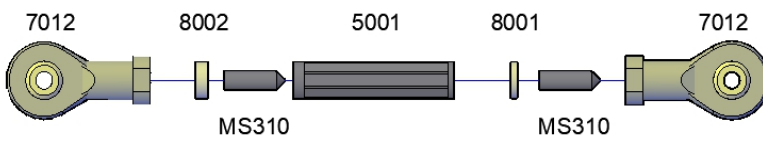
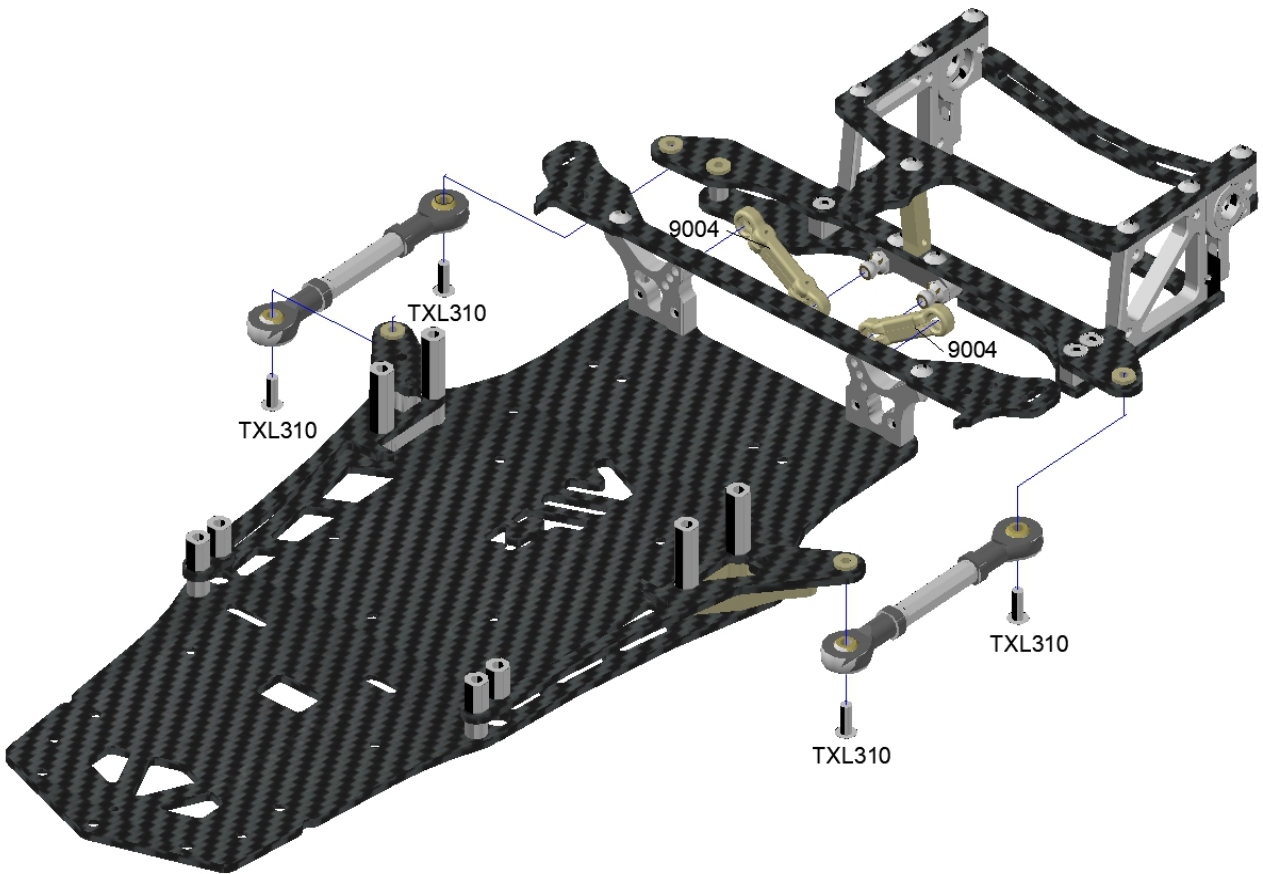
**STEP 4**





Required Parts:

- 4x Link Ball Ends VIP-7012
- 2x Nylon Posts 25mm VIP-5001
- 2x 1mm Spacer VIP-8001
- 2x 2mm Spacer VIP-8002
- 1x V Links (Pair) VIP-9004
- 4x pan head screw M3x10 VIP-TXL310
- 4x Grub screw M3x10 VIP-MS310



**STEP 5**

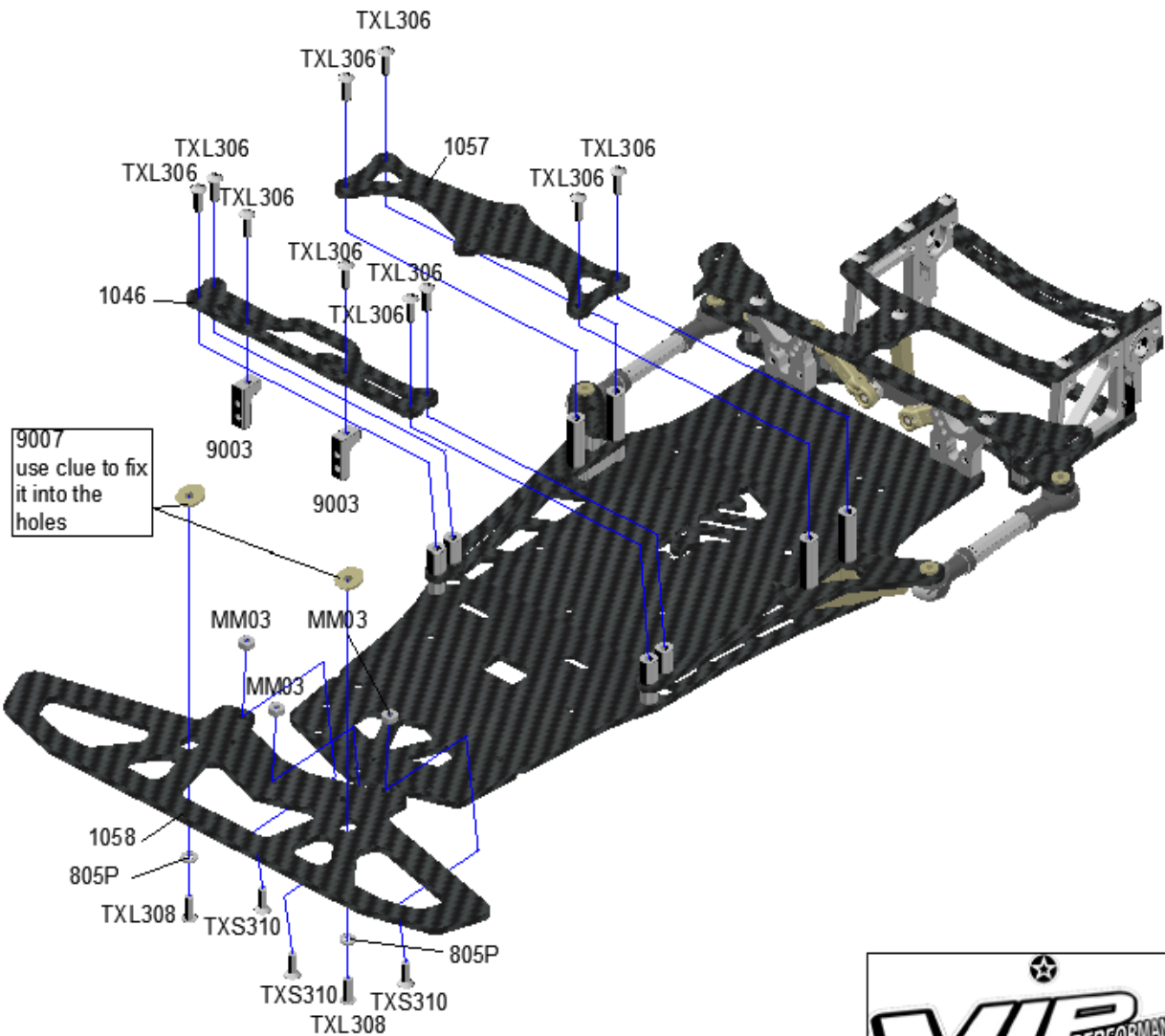
**2x**





Required Parts:

- 1x Top Deck VIP-1057
- 1x Servoplate VIP-1046
- 2x Servo posts VIP-9003
- 1x Bumper VIP-1058
- 10x Pan head screw M3x6 VIP-TXL306
- 2x Pan head screw M3x8 VIP-TXL308
- 2x POM Washer VIP-805P
- 2x Body Mount Inserts VIP-9007
- 3x Countersunk head screw M3x10 VIP-TXS310
- 3x Nut M3 VIP-MM03

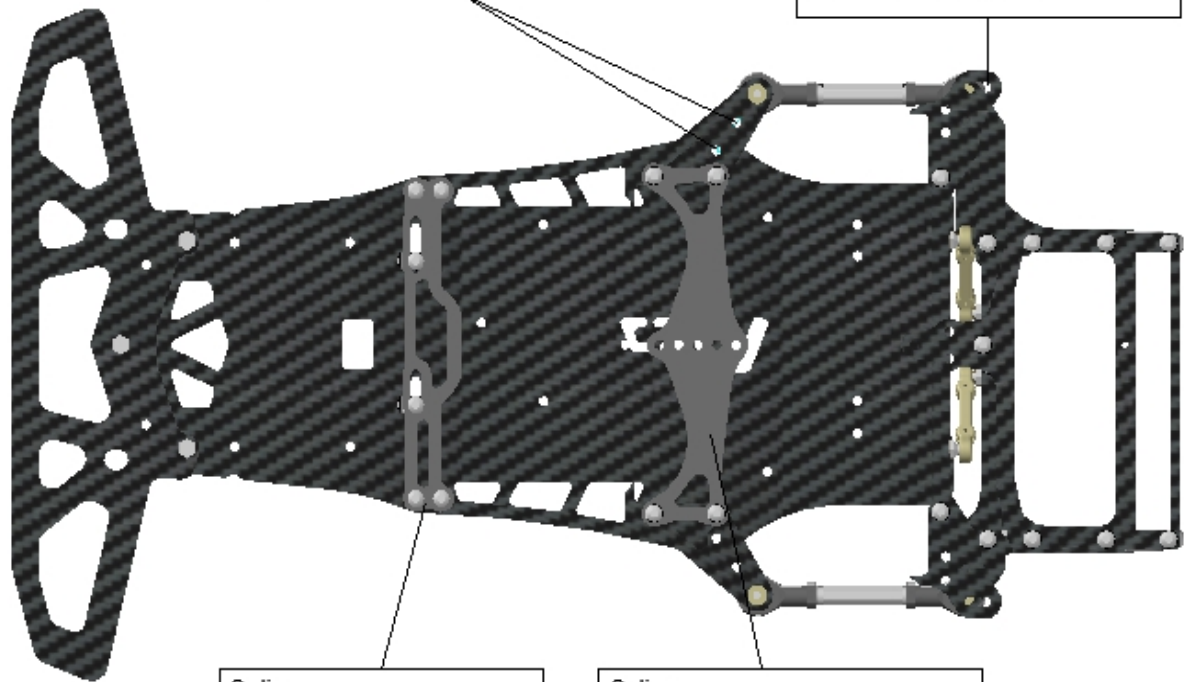


**STEP 6**



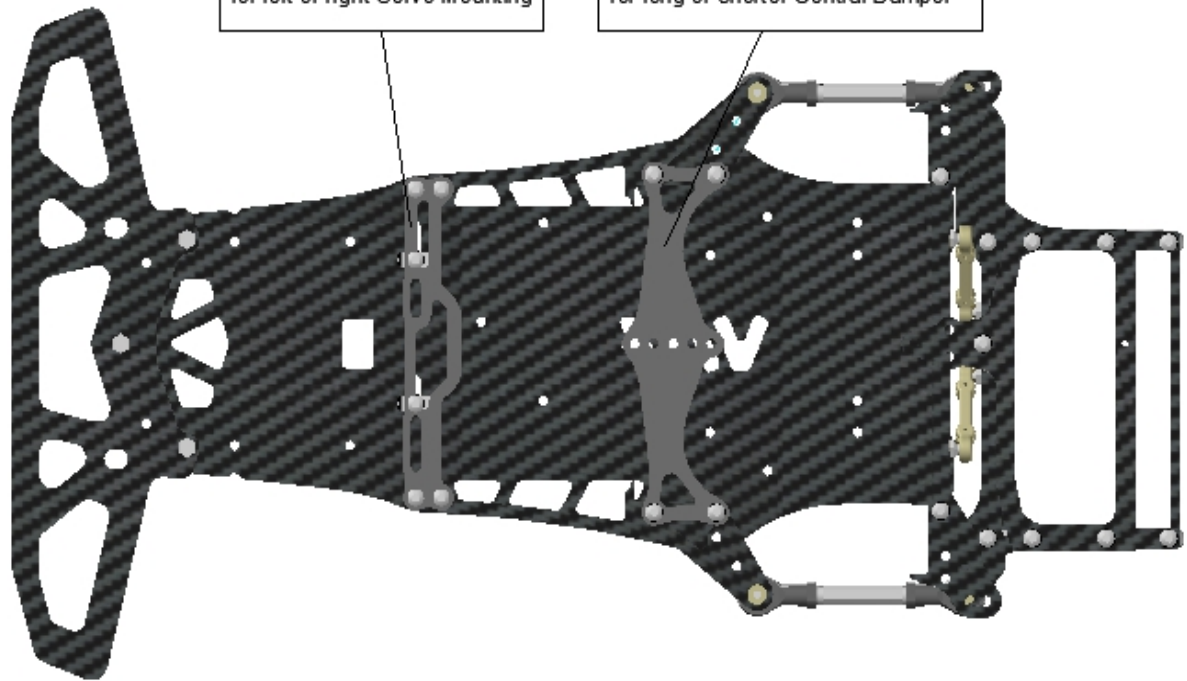
Option:  
Use the holes for more stiffness

Option:  
Moving the Body Posts  
Front - middle - rear Position



Option:  
Turn the Servoplate  
for left or right Servo Mounting

Option:  
Turn the Upper Deck  
for long or shorter Central Damper



# Options



Following parts are option Parts and NOT included into the Kit.

**Introduction:**

-Frontend plates are suitable for the most Frontend at the market.  
The +4mm plates mean the Frontend is 4mm wider.

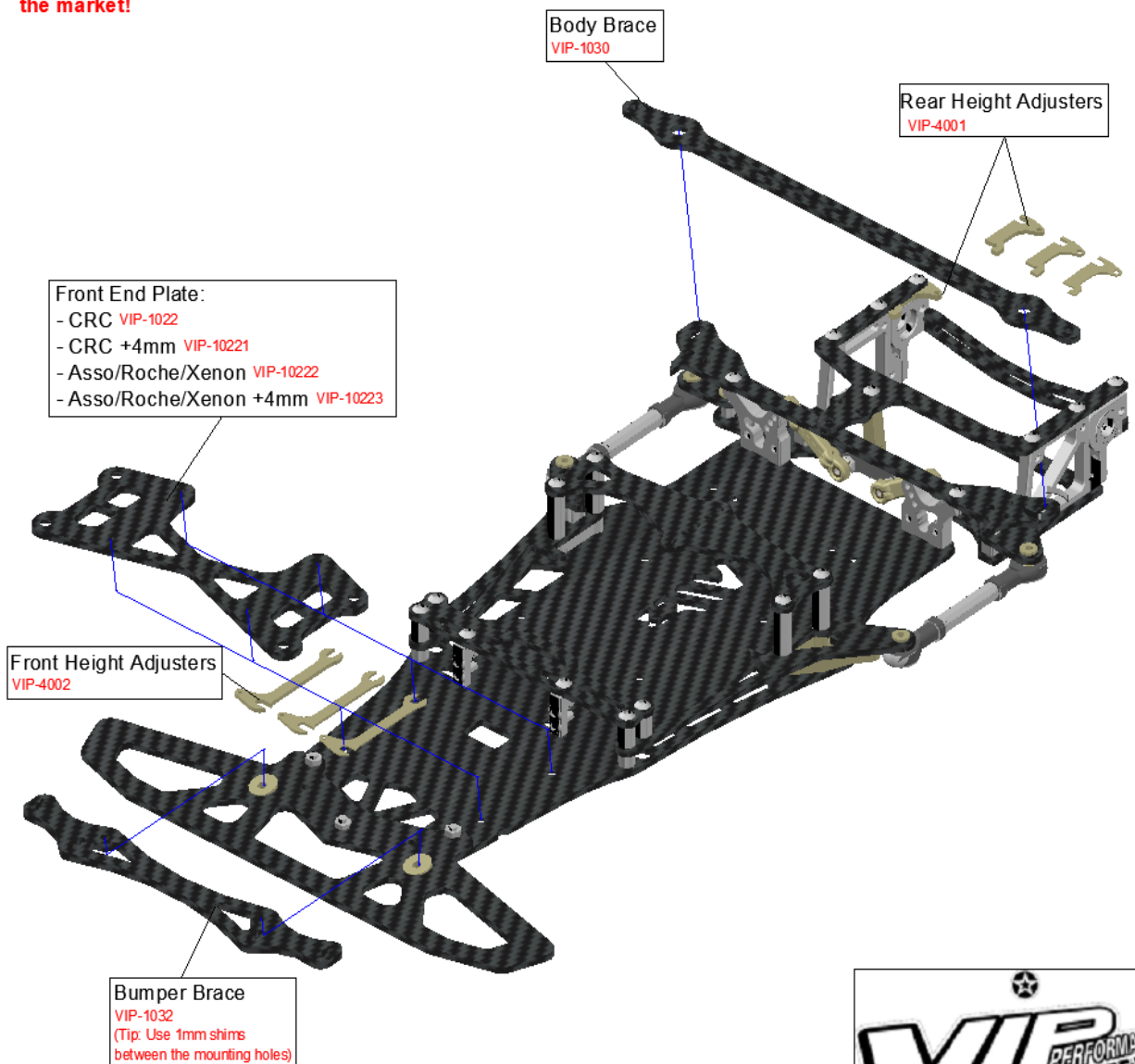
-The Body Brace prevents that the Body is pushing through and recommend for High Downforce Bodies and Modified driving.

-The Rear and Front height adjusters make an easy and fast adjustment for the chassis height

-The Bumper Brace have 2x 3 option holes for the Body posts. The position is wider for more Downforce at the Frontend. In addition the 3 holes in a row make an easy moving from the Body - Front and backwards without drilling new holes or using an other Body.

**To Finish the Kit to a complete car you need a full Frontend, a rear Axle from IRS/Roche with short left Wheel Hub, Body Posts as well as side and Central shocks or Tubes.**

**Body Posts and Central Damper/Tubes are suitable from nearly other Pan Car Manufacture on the market!**



# Option Parts

